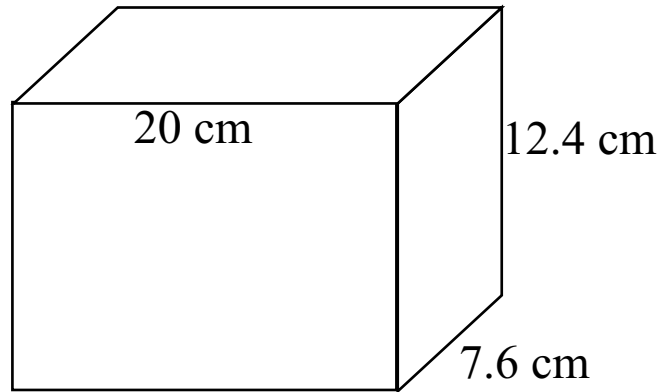


The box shown is being filled with sand. What are the dimensions of a box that could hold 75% of the sand which filled the box shown?



- (a)  $3.1 \cdot 7.6 \cdot 15$
- (b)  $15 \cdot 9.3 \cdot 5.7$
- (c)  $7.6 \cdot 12.4 \cdot 16$
- (d)  $4 \cdot 5.7 \cdot 62$

If two prime numbers differ by two, they are called twin primes. What are the largest twin primes less than 100?

The first class postal rate is scheduled to be increased in 2007. Based on the data provided, how much will the rate increase from the 2002 rate?

1958	4¢	1975	13¢	1991	29¢
1963	5¢	1978	15¢	1995	32¢
1968	6¢	1981	18¢	1999	33¢
1971	8¢	1985	22¢	2001	34¢
1974	10¢	1988	25¢	2002	37¢

